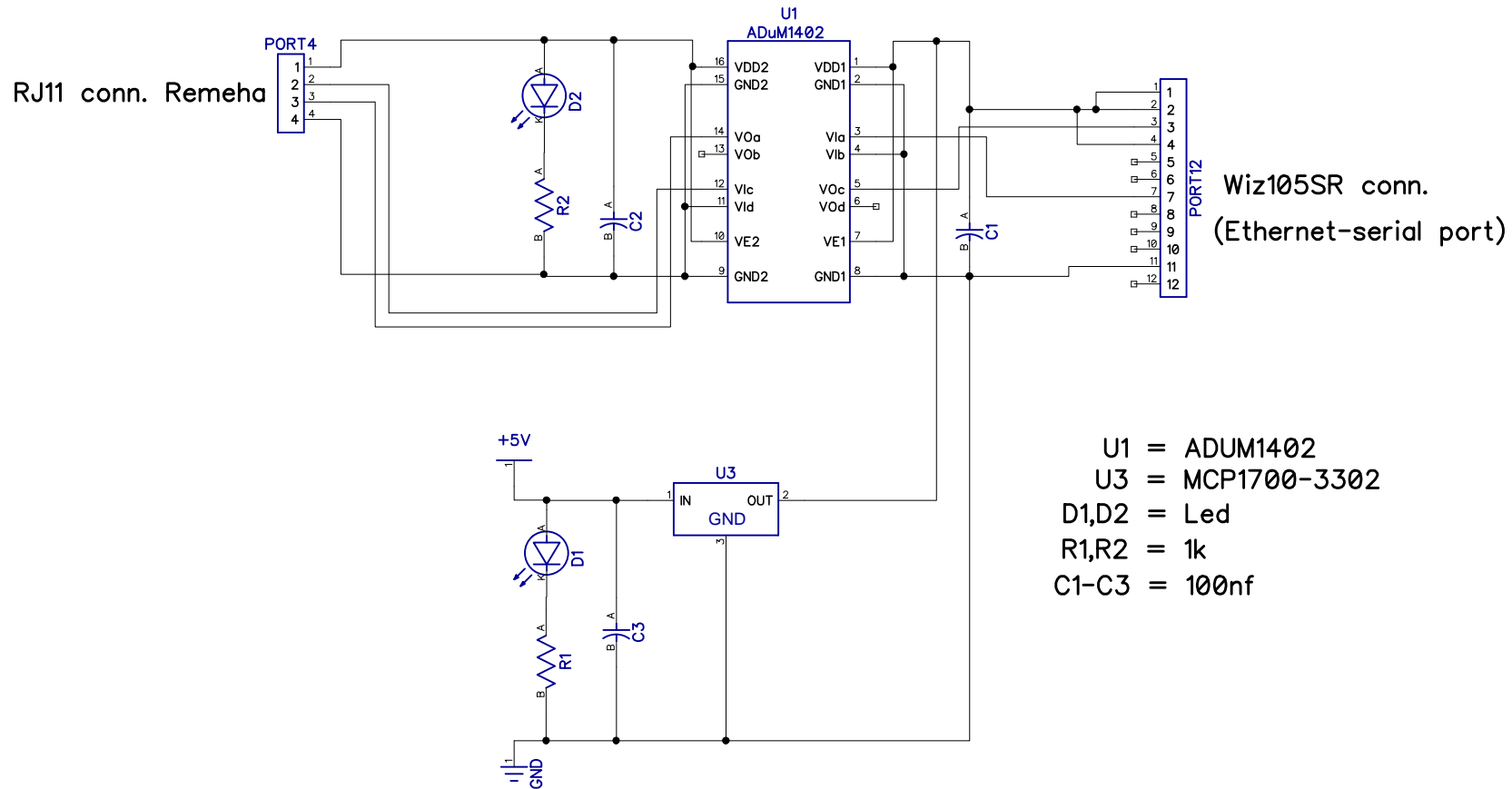


## Galvanic isolated ethernet interface for Remeha heaters and boilers.



- U1 = ADUM1402
- U3 = MCP1700-3302
- D1,D2 = Led
- R1,R2 = 1k
- C1-C3 = 100nf